



Telephone and Data Sockets



Range of Simply Stylish Wiring Accessories

Designed to provide a competitive, cost effective equivalent range of white moulded accessories with a sleek, slim design creating a modern aesthetic.

Manufactured from Polycarbonate with reinforced interior plates to ensure every product is robust, strong, durable and UV stabilised so that signs of ageing is not a problem.

Telephone and Data Sockets

Product Range

Telephone Sockets

CPC119	1 Gang Single Telephone Master Socket Outlet
CPC124	1 Gang Single Telephone Secondary Socket Outlet

Data Sockets

CPC115	1 Gang Single RJ11 (Irish/US) Socket Outlet
---------------	---



CPC119



CPC124

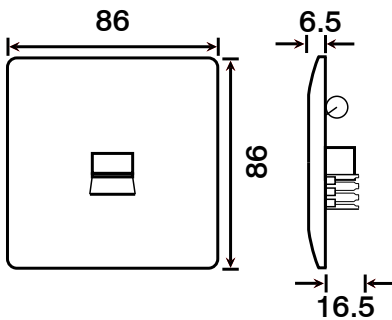


CPC115

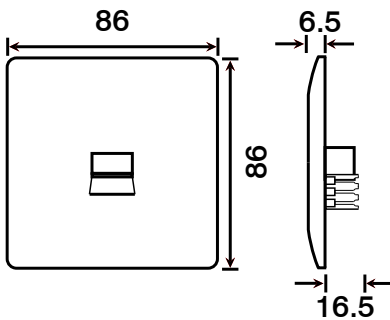
Telephone and Data Sockets

Product Dimensional Drawings (mm)

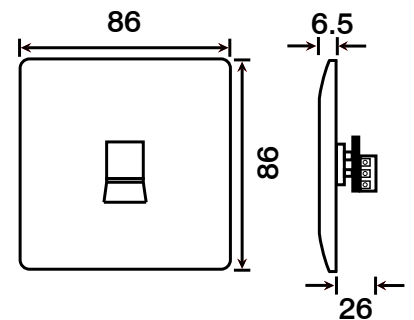
CPC119



CPC124

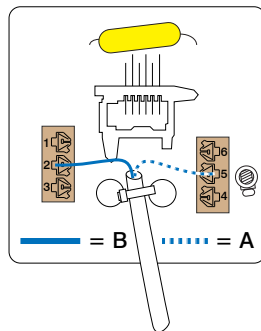


CPC115

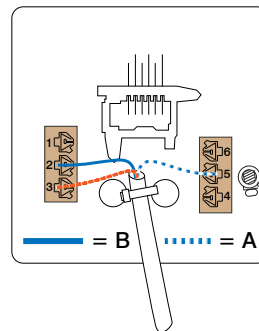


Product Wiring Diagram

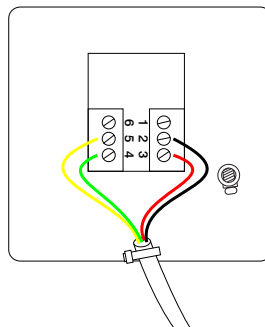
CPC119



CPC124



CPC115



Telephone and Data Sockets

Technical Specification

Telephone and Data Sockets

Material Composition	Front Plate: Polycarbonate Insert: Polycarbonate
Terminal Types	Terminals: Brass Telephone: IDC RJ11: Screw Terminals
Fixing Centres	60.3mm
Back Box Depth	35mm
Warranty	10 Years
Operational Temperature	-5° to +40°C
Standards	BS 5733: 2010 +A1: 2014 (where applicable) BS 6312-2-2: 1997 (where applicable)

Additional Information

Telephone outlets are supplied with a cable tie to assist with restraining the cable.

Scolmore International Ltd1 Scolmore Park: Landsberg
Lichfield Road Industrial Estate
Tamworth, Staffordshire B79 7XBt: 01827 63454
f: 01827 63362
e: sales@scolmore.com
w: www.scolmore.comEU DECLARATION OF CONFORMITY

1. *Issuer Name* Scolmore International Limited
2. *Issuer Address* 1 Scolmore Park, Landsberg,
Lichfield Road Industrial Estate,
Tamworth, Staffordshire, B79 7XB
3. *Object(s) of Declaration* Seera Range
 - a. *Group* Telephone and Data Socket Outlets
 - b. *Model No.* CPC115, CPC119 & CPC124
4. *The object of the declaration described above is in conformity with the requirements of the following Legislations:*
5. *All products contained within the aforementioned comply with the relevant standards and requirements listed below.*

BS 5733: 2010 +A1: 2014 (where applicable)

BS 6312-2-2: 1997 (where applicable)

6. *I hereby declare that the equipment named above has been designed to comply with the relevant sections of the above referenced specifications. The unit complies with all applicable Essential Requirements of the Directives.*

In conjunction with the above all manufacture and process controls are in accordance with ISO 9001:2015.

This declaration has been issued under the sole responsibility of the manufacturer, signed at, for and on behalf of: Scolmore International Limited

A handwritten signature in blue ink, appearing to read "Karl Rawlins".

Karl Rawlins – Senior Technical Support Engineer